

LabDELTA™ EXTREME pH ADJUSTMENT SYSTEMS



Shown: LDX-50-B



Shown: LDX-5-C



The LabDELTA™ EXTREME is a skid-mounted pH adjustment system that is designed for neutralizing small-volume highly-concentrated laboratory process wastewater. The LabDELTA™ EXTREME includes a holding tank that stores concentrated wastewater before being transferred to the reaction tank for treatment. LabDELTA™ EXTREME systems use one active treatment stage to ensure that the wastewater will be neutralized to the required discharge pH before entering the sewer line.

Specifications

- Inlet pH ranges: (pH < 1) and (pH > 13)
- Inlet temperatures up to 160 °F
- Fabricated double-contained polypropylene tanks and skid
- Skid-mounted design, ready to install
- Factory piped, wired, and tested before shipment
- Indoor installation

Standard Features

- UL-Listed control panel
- NEMA 4 powder-coated steel enclosure
- PLC-based control system with 7" color touchscreen HMI with built-in remote access via Ethernet
- Dry contacts for common alarm and pH excess time out of range
- Run permissive for remote enable/disable
- pH probe in reaction tank
- Discharge pH monitoring, trending and logging
- Double-contained 14-gallon acid and caustic chemical day tanks
- PVC metering pumps
- Seismic tie-downs
- Gravity discharge

Power Requirements

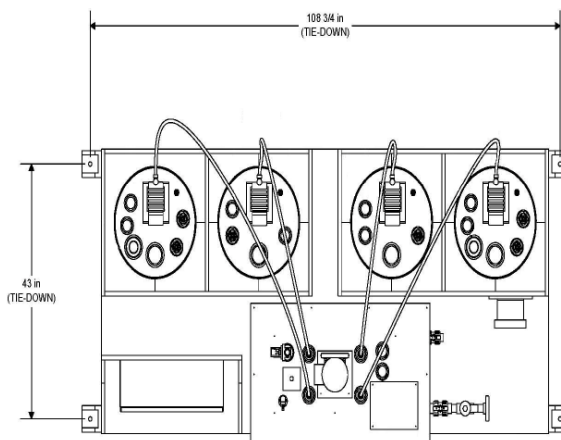
- 115 VAC, 1 phase, 60 Hz, 10-20 amps

Optional Features

- Discharge pH recording with totalization, trending, and logging

ORDERING INFORMATION				
LDX	LabDELTA™ EXTREME			
	Reaction Tank Operating Volume (Choose One)			
	-6	6 Gallons (supplied with 6-gallon holding tank (s))		
	-50	50 Gallons (supplied with 40-gallon holding tank (s))		
		Treatment Chemicals (pH Range) (Choose One)		
	-A	Acid Addition (for high pH wastewater, with pH above 13)		
	-B	Acid and Caustic Addition (for wastewater batches with pH above 13 and below 1)		
	-C	Caustic Addition (for low pH wastewater, with pH below 1)		
		Options (Choose One)		
	-DL	Data Logger (pH)		
Example Part Number				
LDX	-50	-B	-DL	LDX-50-B-DL

DIMENSIONS AND TECHNICAL INFORMATION



NOZZLE SCHEDULE			
NOZZL	DESCRIPTION	QTY	SERVICE
N1	2" FNPT	1	ALKALINE WASTE INLET
N2	2" FNPT	1	ACID WASTE INLET
N3	3" FUNNEL	1	HT-1 FILL PORT
N4	3" FUNNEL	1	HT-2 FILL PORT
N5	2" FNPT	1	CT-1 FILL PORT
N6	2" FNPT	1	RT-1 FILL PORT
N7	2" FNPT	1	SPARE
N8	2" FNPT	5	VENT
N9	1" FNPT	1	WATER SUPPLY INLET
N10	1" FLG	1	NEUTRALIZED DISCHARGE
N11	3/4" FNPT	1	DC DRAIN

APPROXIMATE DRY WEIGHT: 1450 LB

APPROXIMATE OPERATING WEIGHT: 2850 LB

